

A30S4E FREE-STAND SINGLE AND DUAL ACCESS ENCLOSURE



The latest Hoffman-branded enclosure from Pentair has been specially designed for heavy duty applications – housing systems with large components or complex mounting configurations – in harsh environments. Three-point latching and sealing provide industry-leading protection from dust, dirt, oil and water.

The enclosure is for housing motor starters, drives, contactors and PLCs, as well as a wide variety of other electrical and electronic equipment. It is used extensively in oil and gas, pulp and paper, chemical, food and beverage, pharmaceutical, textile and similar industries. The new design with double access is ideally suited for the mounting of physically large, heavy duty devices where tight sealing (IP) and rigidity (IK) is important.

INDUSTRY STANDARDS

IEC EN 60529, IP66
 IEC EN 50102, IK10
 IEC EN 62208;
 UL 508A Listed;
 Type 4, 4X, 12 File No. E61997
 NEMA Type 4, 4X, 12

SPECIFICATIONS

- Thickness 2.5mm, stainless steel type AISI 304 (EN 1.4301) or 316L (1.4404)
- External surface body and door brushed finish grain 240, $Ra \leq 0,8\mu m$, smooth internal surface (2B)
- Heavy-duty three-point latching mechanism operated by Type 316L stainless steel POWERGLIDE® padlocking handle
- Seams continuously welded and ground smooth
- Body grounding, studs door and body
- Two-door enclosures are provided with a removable centerpost for easy mounting plate installation
- Bottom gland plates, 3.0mm removable from inside, with grounding stud
- Seamless foam-in-place polyurethane gasket assures a water-tight and dust-tight seal
- High-impact thermoplastic data pocket provided with each enclosure
- Base plinth 100mm included, with front and rear removable cover for easy cable entry
- Door opening angle 100°

Hoffman

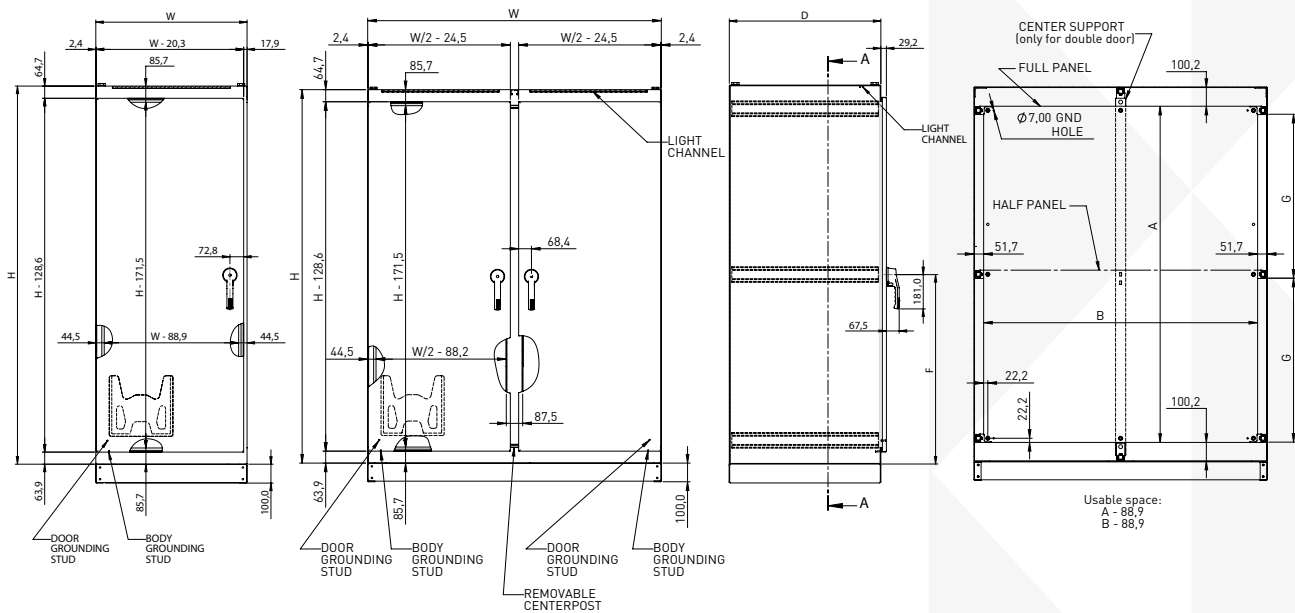
DESIGN WITH CONFIDENCE

A30S4E FREE-STAND SINGLE AND DUAL ACCESS ENCLOSURE

STANDARD PRODUCT; SINGLE ACCESS

Part number	Description	Material	Size HxWxD [mm]	F [mm]	G [mm]	Mounting panel
A2066SSFS	A2066SSFS IP66 StSt304 w.plinth	304	2000x600x600	999,6	875,1	A20P6F1GE
A2086SSFS	A2086SSFS IP66 StSt304 w.plinth	304	2000x800x600	999,6	875,1	A20P8F1GE
A20106SSFS	A20106SSFS IP66 StSt304 w.plinth	304	2000x1000x600	999,6	875,1	A20P10F1GE
A20126SSFSD	A20126SSFSD IP66 StSt304 w.plinth	304	2000x1200x600	999,6	875,1	A20P12F1GE
A2068SSFS	A2068SSFS IP66 StSt304 w.plinth	304	2000x600x800	999,6	875,1	A20P6F1GE
A2088SSFS	A2088SSFS IP66 StSt304 w.plinth	304	2000x800x800	999,6	875,1	A20P8F1GE
A20128SSFSD	A20128SSFSD IP66 StSt304 w.plinth	304	2000x1200x800	999,6	875,1	A20P12F1GE
A20168SSFSD	A20168SSFSD IP66 StSt304 w.plinth	304	2000x1560x800	999,6	875,1	A20P16F1GE
A1864SSFS	A1864SSFS IP66 StSt304 w.plinth	304	1800x600x400	896,6	775,1	A18P6F1GE
A1884SSFS	A1884SSFS IP66 StSt304 w.plinth	304	1800x800x400	896,6	775,1	A18P8F1GE
A18104SSFS	A18104SSFS IP66 StSt304 w.plinth	304	1800x1000x400	896,6	775,1	A18P10F1GE
A18124SSFSD	A18124SSFSD IP66 StSt304 w.plinth	304	1800x1200x400	896,6	775,1	A18P12F1GE
A1866SSFS	A1866SSFS IP66 StSt304 w.plinth	304	1800x600x600	896,6	775,1	A18P6F1GE
A1886SSFS	A1886SSFS IP66 StSt304 w.plinth	304	1800x800x600	896,6	775,1	A18P8F1GE
A18106SSFS	A18106SSFS IP66 StSt304 w.plinth	304	1800x1000x600	896,6	775,1	A18P10F1GE
A18126SSFSD	A18126SSFSD IP66 StSt304 w.plinth	304	1800x1200x600	896,6	775,1	A18P12F1GE

*D - double doors with centerpost

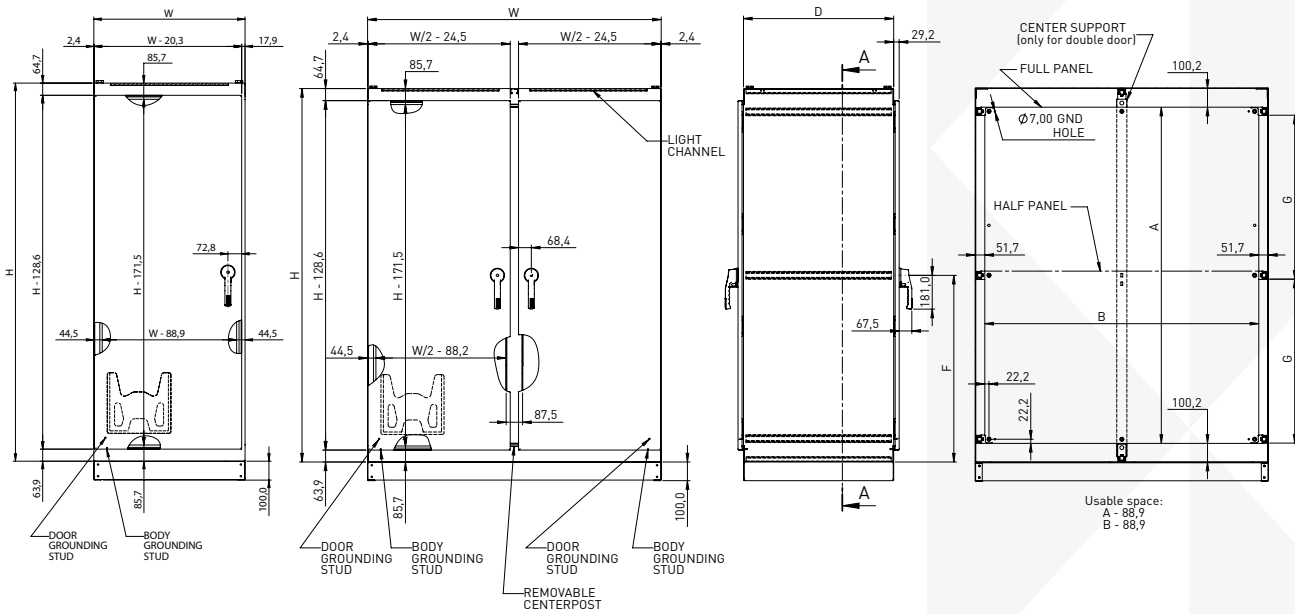


A30S4E FREE-STAND SINGLE AND DUAL ACCESS ENCLOSURE

STANDARD PRODUCT; DUAL ACCESS

Part number	Description	Material	Size HxWxD [mm]	F [mm]	G [mm]	Mounting panel
A2088SSFSDA	A2088SSFSDA IP66 StSt304 w.plinth	304	2000x800x800	999,6	875,1	A20P8F1GE
A20108SSFSDA	A20108SSFSDA IP66 StSt304 w.plinth	304	2000x1000x800	999,6	875,1	A20P10F1GE
A20128SSFSDAD	A20128SSFSDAD IP66 StSt304 w.plinth	304	2000x1200x800	999,6	875,1	A20P12F1GE
A20168SSFSDAD	A20168SSFSDAD IP66 StSt304 w.plinth	304	2000x1560x800	999,6	875,1	A20P16F1GE
A2088SS6FSDA	A2088SS6FSDA IP66 StSt316L w.plinth	316L	2000x800x800	999,6	875,1	A20P8F1GE
A20108SS6FSDA	A20108SS6FSDA IP66 StSt316L w.plinth	316L	2000x1000x800	999,6	875,1	A20P10F1GE
A20128SS6FSDAD	A20128SS6FSDAD IP66 StSt316L plinth	316L	2000x1200x800	999,6	875,1	A20P12F1GE
A20168SS6FSDAD	A20168SS6FSDAD IP66 StSt316L plinth	316L	2000x1560x800	999,6	875,1	A20P16F1GE

*D – double doors with centerpost



MODIFICATION - DESIGN YOUR STANDARD OPTIONS

Window kits	NEMA 4X, IP66		
AWDH3024N4SS	Deep hinged window kit stainless steel 316L*		716x512x69mm
AWDH2016N4SS	Deep hinged window kit stainless steel 316L*		462x308x69mm
APWK2919NFSS	Shallow window kit stainless steel 304**		800x546mm
APWK711NFSS	Shallow window kit stainless steel 304**		343x241mm
*UL 508A Listed	**UL 508A Component Recognized 4X		
Studs, nuts	For cut-outs		
Sunshield tops	Size WxD (mm)	Size WxD (mm)	Size WxD (mm)
	600x400	600x400	600x400
	800x400	800x400	800x400
	1000x400	1000x400	1000x400
	1200x400	1200x400	1200x400

Stainless steel accessories:

- data pocket,
- door stop kit,
- selected hardware (screws, studs, nuts....)
- sunshield top 304 or 316L

A30S4E FREE-STAND SINGLE AND DUAL ACCESS ENCLOSURE

ACCESSORIES AND PANELS

ACCESSORIES

Part number	Description	Size	Operating voltage
ALGDSTOP2E	ALGDSTOP2E door stop for large enclosures		
PLEM20SS	PLEM20SS kit with four lifting eyes 304	M20x30mm	
PLEM20SS6	PLEM20SS6 kit with four lifting eyes 316L	M20x30mm	
LEDA1S35	LEDA1S35 LED light, AC Switch*, screw	36x52x351mm	90-260 VAC
LEDA2S35	LEDA2S35 LED light, AC Motion **, screw	41x52x351mm	90-260 VAC
LEDD1S35	LEDD1S35 LED light, AC Switch*, screw	36x52x351mm	20-60 VDC
LEDD2S35	LEDD2S35 LED light, AC Motion**, screw	41x52x351mm	20-60 VDC

*Switch activation by on/off door switch **Motion activation by IR motion sensor

PANELS

Part number	Description	For cabinet sizes HxW[mm]	A [mm]	B [mm]
A20P6F1GE	A20P6F1GE Full mounting plate	2000x600	1794,6	496,7
A20P8F1GE	A20P8F1GE Full mounting plate	2000x800	1794,6	696,7
A20P10F1GE	A20P10F1GE Full mounting plate	2000x1000	1794,6	896,7
A20P12F1GE	A20P12F1GE Full mounting plate	2000x1200	1794,6	1096,7
A20P16F1GE	A20P16F1GE Full mounting plate	2000x1560	1794,6	1462,5
A18P6F1GE	A18P6F1GE Full mounting plate	1800x600	1594,6	496,7
A18P8F1GE	A18P8F1GE Full mounting plate	1800x800	1594,6	696,7
A18P10F1GE	A18P10F1GE Full mounting plate	1800x1000	1594,6	896,7
A18P12F1GE	A18P12F1GE Full mounting plate	1800x1200	1594,6	1096,7



Door stop for large enclosure



LED

